

Enclosed you will find an overview of the accessories we can supply for your door configuration. The typical scope of delivery for our Classic and Slim Line product lines can be found on the system overview pages.

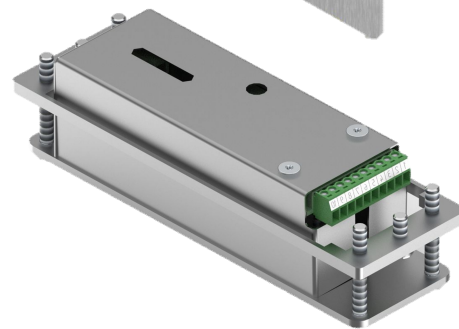
### Operating Element

You need the operating element to put the Classic Line into operation. It can then be used as an operating button for the system. Of course, you can also use your own buttons on site. The operating element is no longer required for the Slim Line because the buttons for commissioning are already integrated there.



### Magnetic Lock

This locks the door and protects against intrusion from outside. You can use our lock or one of your own motorized locks. The lock is connected directly to our control unit and has a signaling contact.



### Radio Transmitter and Receiver

Of course, you can also operate our drives wirelessly. You can also integrate the radio remote control into the system and use it alongside the operating buttons or home automation.



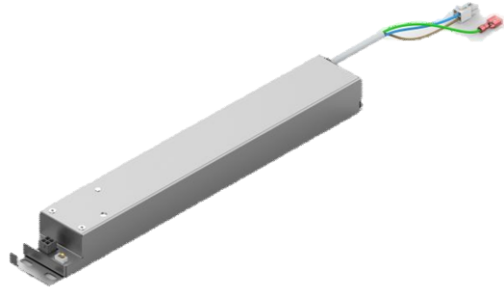
### Protection

Of course, our system can also be additionally protected with various detectors when it is running in automatic mode. Here we offer a wide selection tailored to your configuration.



### UPS - Uninterruptible Power Supply

In the event of a power failure, our doors can be operated if you order an UPS as an option. We can install this either directly in the profile or in a separate switch cabinet.



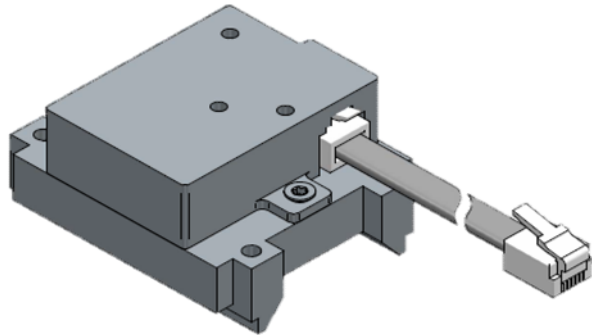
### Control Cabinet

For large systems in particular, we recommend the use of a control cabinet in the technical control room. We also manufacture cabinets in-house. We build control cabinets that can accommodate 3 or 6 control units.



### Bluetooth + Wifi Module

We can offer remote access for maintenance purposes as well as an app for opening and closing the doors. The Slim Line has an integrated Wifi module, while the Classic Line has Bluetooth and Wifi modules as an option.



### Home Automation

You can also integrate our control unit into your home automation system. Integration takes place via potential-free contacts. We would be happy to present our options to you in detail here.

If you haven't found the right accessories for you, just ask us. There are practically no limits to the combinations and we look forward to developing a solution for you. For inquiries, please use our contact form on the homepage or send an e-mail to [sales@liberda.eu](mailto:sales@liberda.eu)

